

# The Power Within



## rehab power

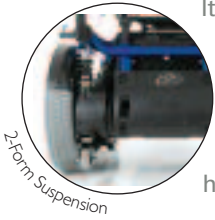
### QUICKIE® GROOVE™

#### QUICKIE® POWER CHAIRS

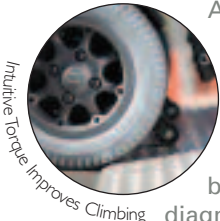
The FWD/RWD interchangeability is just one of the many features of the Quickie® Groove™ power wheelchair series. All Groove models feature Quickie's 2-Form Suspension™ incorporating a spring-drive wheel dampening system for a smoother ride and greater stability.

# Quickie Groove Power Wheelchairs

## The best choice for front wheel/rear wheel drive versatility

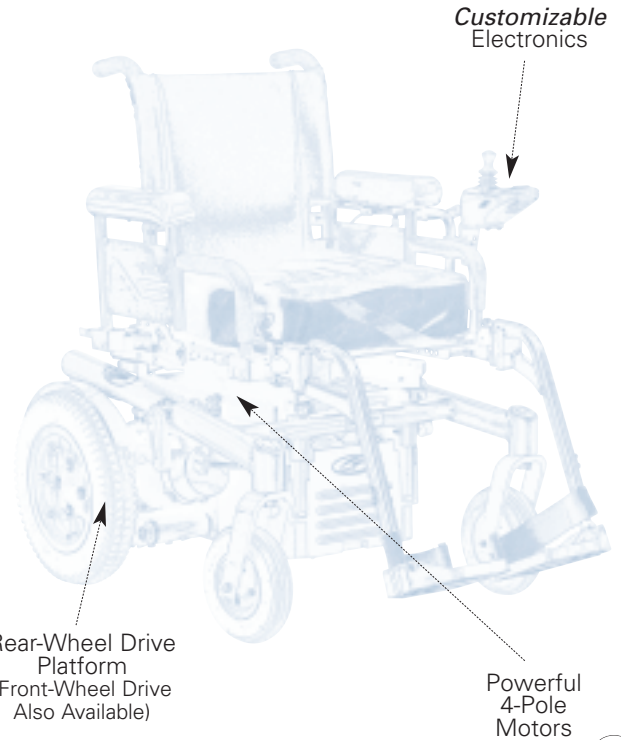


It's like getting two chairs in one: the Groove brings you the **unique ability to switch from front-wheel to rear-wheel drive** and vice versa, so whatever works best is easy to select. Our **2-Form Suspension™** absorbs heavy bumps in RWD and helps cushion forward-pitching when braking while going down hills in the FWD mode.



Available on some configurations, the **Perfect Fit™ seating system** provides 7" of backrest-width adjustment and 5" of seat-width adjustment. Quickie Electronics powered by Delphi™ create a new standard of user control and reliability, offering infrared remote functions, Windows-based display menus, customized buttons, extensive diagnostics tools, and versatile programming possibilities.

The Groove's remarkable choice of front- or rear-wheel drive makes it ideal for those who want more choices and flexibility.



To learn more, contact your local dealer, call



# rehab power QUICKIE® GROOVE™



	K0848	K0850	K0856	K0858	K0861	K0868	K0877	K0884
Model	F3/R3 BC	F3/R3 BC HD	F3/R3 SC	F3/R3 HD	F7/R7	R4 BD	R4	R5 MPD
<b>POWER BASE</b>								
Drive Wheel Position	Front/Rear	Front/Rear	Front/Rear	Front/Rear	Front/Rear	Rear	Rear	Rear
Max Speed	5.0 mph, 6.5 mph	5.0 mph	5.0 mph, 6.5 mph	5.0 mph	5.0 mph	8.5 mph	8.5 mph	8.5 mph
User Weight Capacity	300 lbs	400 lbs	300 lbs	400 lbs	300 lbs	300 lbs	300 lbs	300 lbs
Turning Radius	28"	28"	28"	28"	28"	28"	28"	28"
Overall Base Width	25.5"	25.5"	25.5"	25.5"	25.5"	25.5"	25.5"	25.5"
Overall Length	39"	39"	39"	39"	39"	39"	39"	39"
Suspension	2-Form	2-Form	2-Form	2-Form	2-Form	2-Form	2-Form	2-Form
Batteries	Gp 24 or Gp 22NF	Gp 24 or Gp 22NF	Gp 24 or Gp 22NF	Gp 24 or Gp 22NF	Gp 24 or Gp 22NF	Gp 24 or Gp 22NF	Gp 24 or Gp 22NF	Gp 24 or Gp 22NF
Drive Wheels	14"	14"	14"	14"	14"	14"	14"	14"
<b>SEATING</b>								
Seat Selection	Rehab, Perfect Fit	Rehab, Perfect Fit	Rehab, Perfect Fit	Rehab, Perfect Fit	Perfect Fit	Rehab, Perfect Fit	Rehab, Perfect Fit	Perfect Fit
Seat-to-Floor Height	17.3"-20.6"	17.3"-20.6"	17.3"-20.6"	17.3"-20.6"	17.6"-20.6"	17.3"-20.6"	17.3"-20.6"	17.6"-20.6"
Powered Seating	N/A	N/A	Tilt, Recline, Lift	Tilt	Tilt, Recline, Lift, ELR	N/A	Tilt, Recline, Lift	Tilt, Recline, Lift, ELR
<b>ELECTRONICS</b>								
Standard	QC	QR	QC	QR	QR	QR	QR	QR
Option	QR	N/A	QR	N/A	N/A	N/A	N/A	N/A
<b>WARRANTY</b>								
	Gold	Gold	Gold	Gold	Gold	Platinum	Platinum	Platinum

For more warranty information, please refer to [www.sunrisemedical.com](http://www.sunrisemedical.com)

© 2006 Sunrise Medical Inc. Sunrise Medical and Quickie are registered trademarks of Sunrise Medical. Groove, Perfect Fit and 2-Form are trademarks of Sunrise Medical. Delphi is a trademark of Delphi Technologies, Inc. 101717 Rev. A

